

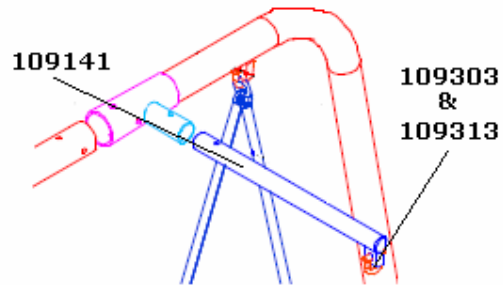
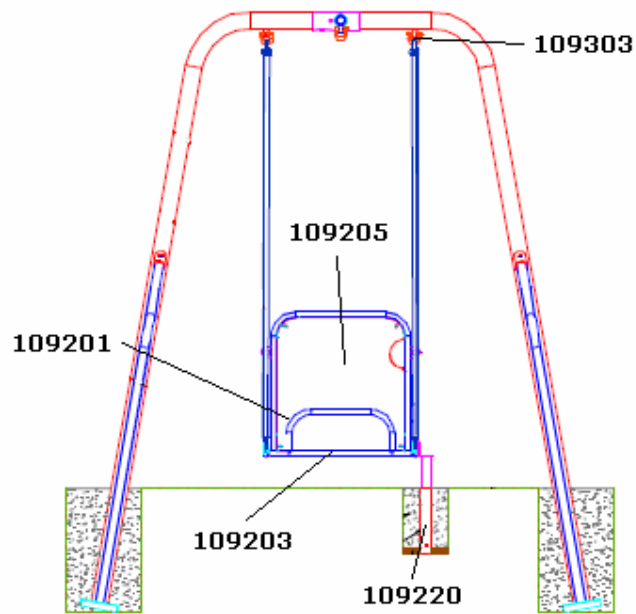
# SPARES PRICES 2010



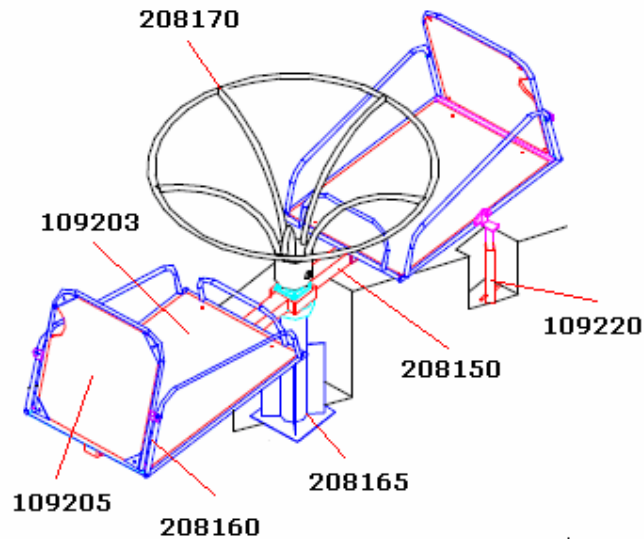
## SPECIAL PLAY



*The RP203 Wheelchair Roundabout*

**RP201 WHEELCHAIR SWING**

STOCK CODE	DESCRIPTION	QUANTITY	SELLING PRICE
109303	M12 Shackle Assembly	3	£4.00 each
109205	Carrier Rampboard	1	£93.10
109201	Swing Carrier	1	£643.50
109203	Carrier Baseboard	1	£92.70
109213	Rubber Buffer for Ramp	2	£0.40 each
109220	Ground Socket Fixing Post	1	£65.40
109141	Rope Support Arm	1	£52.20
109313	Wheelchair Swing Rope	1	£41.90
109315	Anti-Luce Pin	2	£7.30 each
109317	Q/2K Restraint	2	£219.30 each
109318	RLS 1/10 Surface Rail	2	£46.60 each
950070	Long Shank Padlock	1	£16.95

**RP203 WHEELCHAIR ROUNDABOUT**

<b>STOCK CODE</b>	<b>DESCRIPTION</b>	<b>QUANTITY</b>	<b>SELLING PRICE</b>
109220	Ground Socket Fixing Post	1	£65.40
208150	Wheelchair Roundabout Beam	1	£379.20
208165	Wheelchair Roundabout Base	1	£466.80
208160	Wheelchair Roundabout Carrier	2	£651.50 each
109205	Carrier Rampboard	2	£93.10 each
109203	Carrier Baseboard	2	£92.70 each
109213	Rubber Buffer for Ramp	4	£0.40 each
109315	Anti-Luce Pin	4	£7.30 each
208170	Wheelchair Roundabout Handrail	1	£178.90
109317	Q/2K Restraint	4	£219.30 each
109318	RLS 1/10 Surface Rail	4	£46.60 each
208510	55mm Heavy Duty Bearing	1	£64.90
208515	55mm Speed Damper Bearing	1	£227.10