

SPARES PRICES 2010

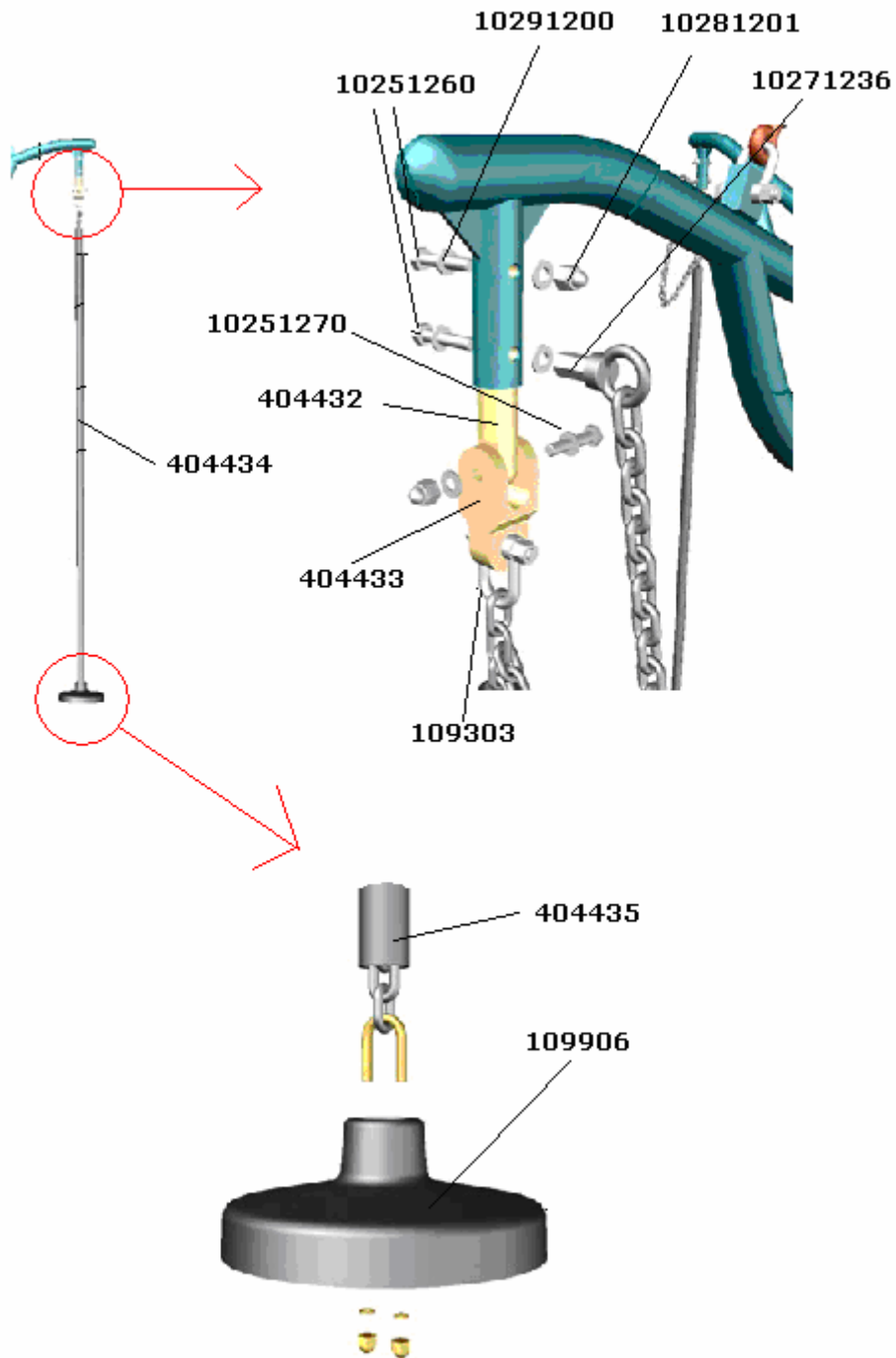


RP404 TYPHOON



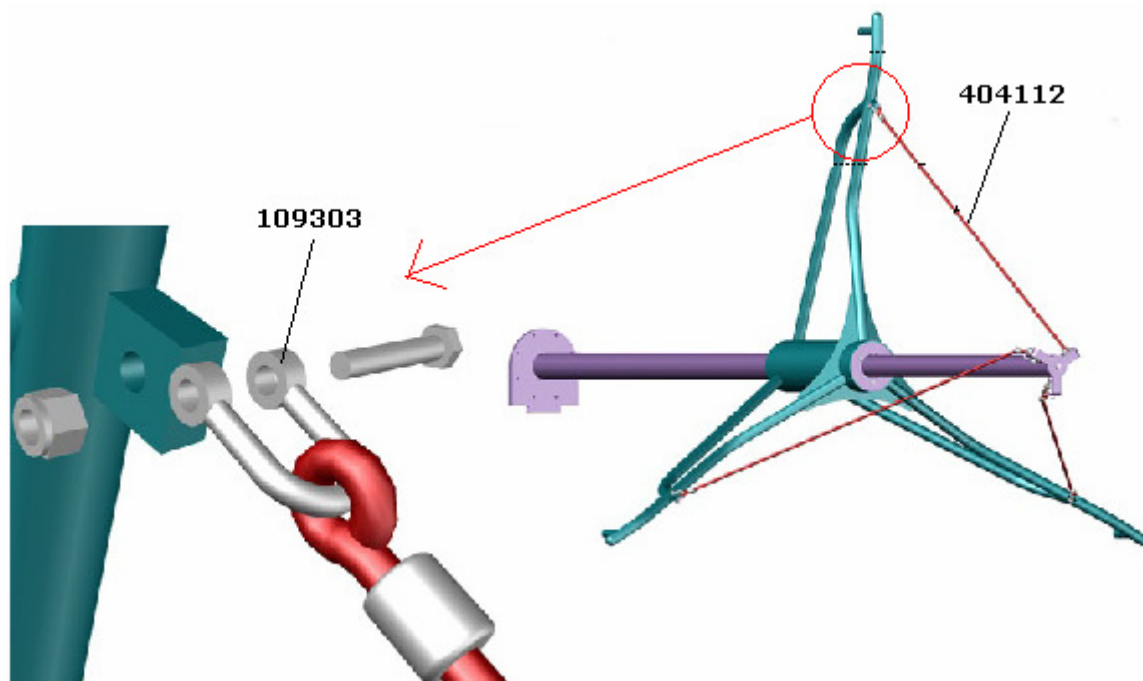
**Please note: The spare parts prices stated, are for each arm assembly only
(there are 3 sets per typhoon)**

CHAIN AND SEAT ASSEMBLY

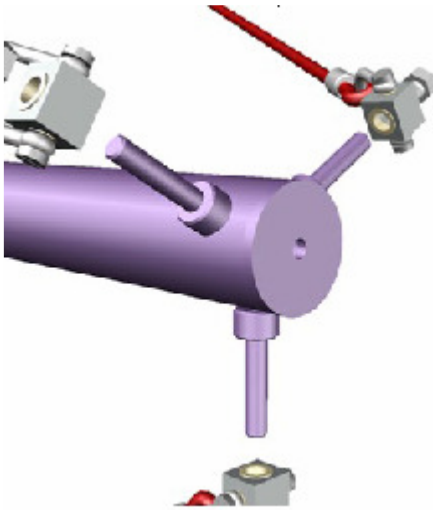
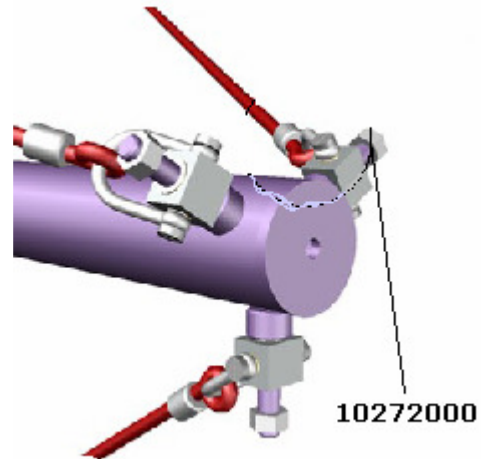
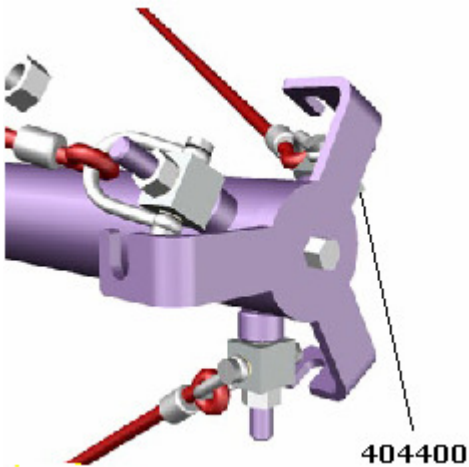
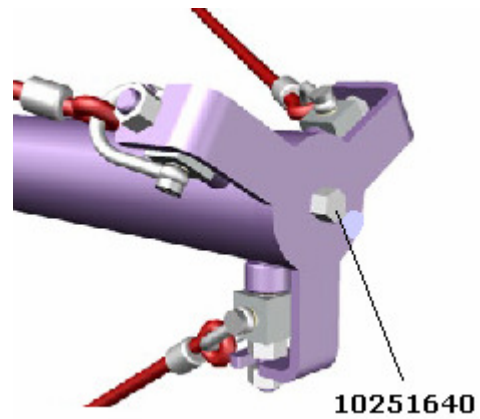


STOCK CODE	DESCRIPTION	QUANTITY	SELLING PRICE
109303	DSR Galvanised 'D' Shackle	1	£4.00
109906	Pendulum Seat	1	£74.00
404432	Pin (Chain Plug)	1	£56.00
404433	Two Way Shackle	1	£135.30
404434	Seat Chain	1	£123.60
404435	Chain Sleeve	1	£46.40
10251260	M12 x 60 Hex Bolt	2	£0.70 each
10251270	M12 x 70 Hex Bolt	1	£1.00
10271236	M12 Long Nut	1	£0.45
10281201	M12 Capped Nyloc Nut	2	£0.75 each
10291200	M12 Plain Washer	6	£0.15 each

ROPE TO WING ASSEMBLY



STOCK CODE	DESCRIPTION	QUANTITY	SELLING PRICE
109303	DSR Galvanised 'D' Shackle	1	£4.00
404112	Suspension Rope Assembly	1	£248.10

ROPE TO UPPER BRACE ASSEMBLY**STEP 1****STEP 2****STEP 3****STEP 4**

STOCK CODE	DESCRIPTION	QUANTITY	SELLING PRICE
10272000	M20 Plain Nuts	3	£0.70 each
10251640	M16 x 40 Hex Bolt (one on whole unit)	1	£1.20
404400	Upper Brace (one on whole unit)	1	£35.80